

NICREW

HyperReef 30

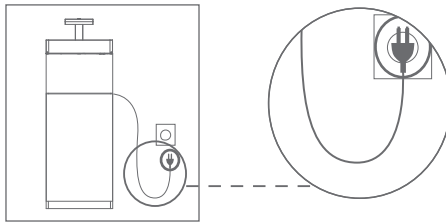
Instruction Manual

Important Safety Instructions

WARNING - To guard against injury, basic safety precaution should be observed including the following:

READ AND FOLLOW ALL SAFETY INSTRUCTIONS.

- DO NOT look directly at LEDs regardless of intensity.
- DO NOT SUBMERGE THE LAMP UNIT. The light is **NOT WATERPROOF**; water can permanently damage it. This damage is NOT covered under warranty.
- Do not operate any appliance if it has a damaged cord or plug, if it is malfunctioning, or if it is dropped or damaged in any manner.
- Ensure your hand is dry when turning the power switch on/off and when inserting/removing the power cord from the receptacle.
- A G.F.C.I (Ground fault circuit interrupter) & surge protector is recommended for all electrical appliances.
- Ensure the fixture is securely installed before supplying power to the unit.
- Always leave a drip-loop in the DC supply cable to the lamp unit to prevent water running down the cable and reaching the PSU (see fig. 1).



(fig. 1)

What's in the Box

1 x LED Light Unit

1 x Power Supply

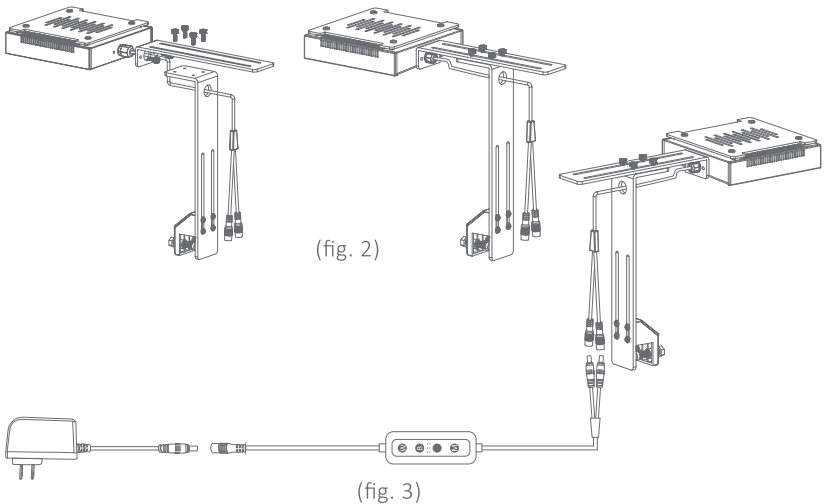
1 x Wired Controller

1 x Instruction Manual

1 x Tank Mount

Installation

- Assemble the tank mount as instructed (fig. 2).
- Mount on the rear wall of the tank.
- Locate the two male plugs on the wired controller and connect them to their coordinated female counterparts on the fixture as illustrated in fig. 3.
- Connect the female DC plug on the controller to the male DC plug from the transformer/power supply.
- Plug the transformer into a G.F.C.I protected AC outlet. Be sure to incorporate a "drip loop" as described and illustrated in fig. 1.



NOTE:

- The light fixture must be fastened securely so that it cannot accidentally be dislodged from its mounting.
- The top surface and sides must have unrestricted airflow for correct heat dissipation.
- Mounting the light a minimum of 6 inches (15 cm) above the surface of the water is recommended.

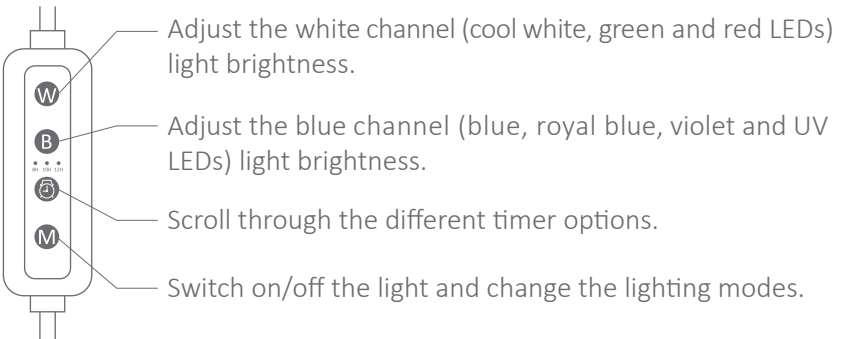
For Hanging Option

Screw hanging kit into the four corner holes of the unit and secure the hanging wire to the ceiling or other mount.

NOTE:

The higher you hang your light over the water, the wider the light spread-but the lower the light intensity. Wider and/or deeper tanks may require hanging more than one LED light in order to provide sufficient light coverage.

Control



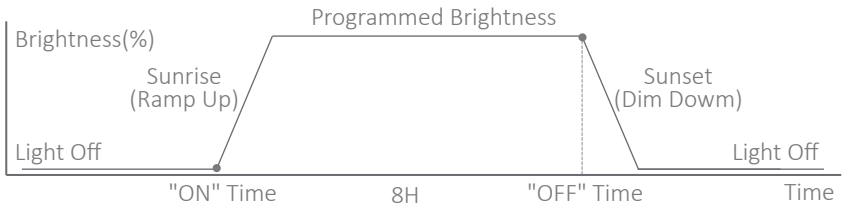
- Press the Mode button marked **M** to turn on the light.
- Press **M** button to switch between daylight and moonlight mode.
 - **Daylight**: All LEDs on, brightness can be adjusted by pressing the **W** and **B** button. Press **W** to control brightness of white channel, and press **B** to control brightness of blue channel.
 - **Moonlight**: Only blue channel light on, brightness can be adjusted by pressing the **B** button.
- Press and hold the **M** button for 3 seconds to turn all lights off.
- Press the **M** button again and it will resume to the last mode set.
- If you would like to use the timer function, press **T** button to choose one of the 3 preset timer modes.

NOTE:

- 6 intensity levels adjustable: the intensity of each channel can be set to 5%, 20%, 40%, 60%, 80%, 100%.
- The blue channel light can be turned off totally in daylight mode.
- When the light is turned on again, it will return to the previous setting it was in.
- Light can be set to factory defaults when press **W** and **B** simultaneously for 3 seconds. This resets the intensity of white and blue channels to 100%.

Timer Function (for Daylight Mode Only)

Example for the 8H cycle. When the 8H timer mode is selected, the light will be on 8 hours per day. When you enable the 8H timer mode, sunrise begins at 5% brightness and slowly increase to your set brightness. Sunset begins when 8 hours is over.



NOTE:

- The timer function cannot be used for the moonlight mode.
- You need to reset the timer if there is a power outage while in timer mode.
- In timer mode, at scheduled on time, the light will slowly ramp up from 0% to 100% in 15 minutes simulating a gradual sunrise. At the off time, the LED will slowly dim down from 100% to 0% brightness in 15 minutes simulating a sunset.
- In timer mode, the brightness can be adjusted when the light is on. The adjustment will be applied in timer mode. For example, when it is in daylight mode, you can adjust the white channel brightness to 60% and blue channel brightness to 20%, the timer will ramp up to this setting in the next day.

Maintenance

- Always turn off light fixture and unplug from outlet prior to performing any maintenance.
- Water spray and water scale can create an electrical and fire safety hazard if allowed to collect on the fixture. To prevent hazard, use over covered aquarium only and clean the fixture regularly. Wipe exterior of fixture down with a clean, freshwater dampened towel. Then dry thoroughly with a second dry towel. Make sure all surfaces are dry before servicing.

Frequently Asked Questions

1. Why the light return to manual on or off status when the light was in timer mode during a power outage?

After a power outage, the time will need to be set. If the power is back up again, the light will return to the previous status before the timer mode is enabled. Therefore, turning off the light is recommended before choosing the timer mode.

2. Why it takes less 15 minutes to ramp up/dim down?

It takes 15 minutes to ramp up from 0% to 100% (or dim down from 100% to 0%). If the set intensity is not 100%, the ramp up/dim down time will be proportionally shorter. For example, if the light ramp up to 60% intensity, the ramp time will be 9 minutes.

3. Why is my LED light not as bright as it should be when using it?

Check the intensity setting of each channel. Ensure the light intensity is set to 100%.

Disposal Information (for EU countries only)

The symbol shown as follows, applied to the product or on its package, at the end of life, the product must not be thrown away, or disposed into domestic waste!



Warranty

NICREW products carry a one-year limited warranty from the date of purchase. If your product is within warranty and you require a replacement part or service, please contact us at support@nicrew.com. For more information, please visit www.nicrew.com.