

NICREW

HyperReef Mount System
Mounting Instruction

Warning

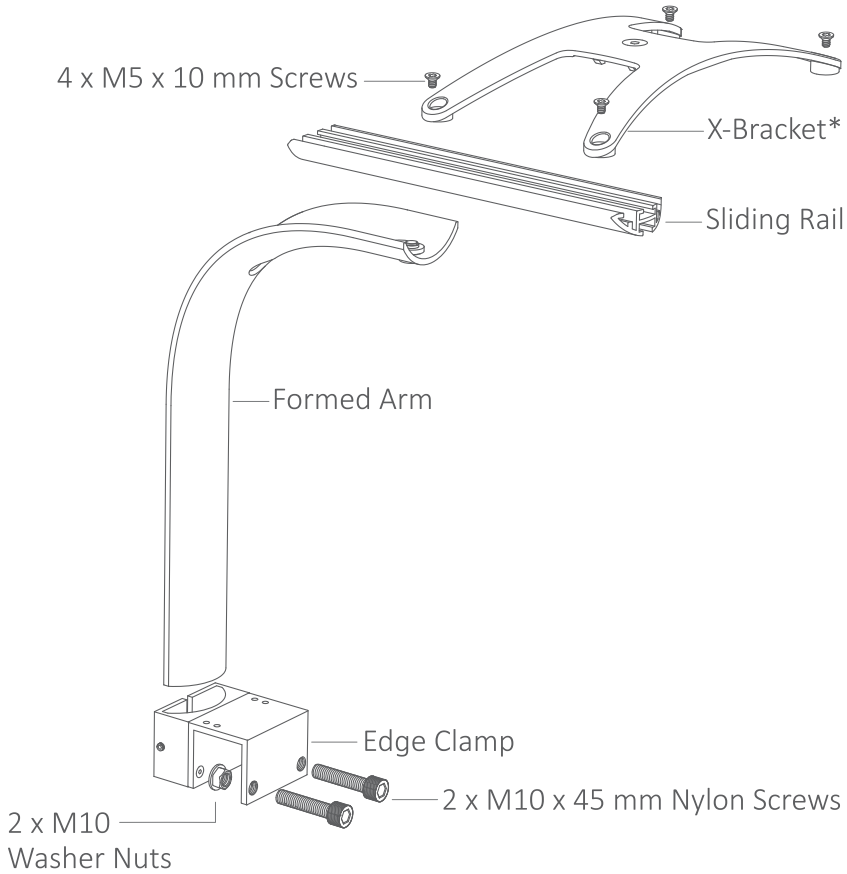
- Please read and adhere to the instructions provided. Failure to do so may cause damage to the HyperReef Mount System, breakage of the light, or harm to your tank, livestock, and surrounding areas.
- Any damage incurred from failing to read or follow these instructions will not be covered under warranty. NICREW cannot be held responsible for any damages that result from non-compliance with the instructions.

Limited Warranty

NICREW products carry a 12-month limited warranty from the date of purchase. This warranty is non-transferable and valid for the original purchaser only. If your product is within warranty and you require a replacement part or service, please contact us at support@nicrew.com.

For more information, please visit www.nicrew.com.

Assembly Overview



*HyperReef 200 X-bracket is illustrated above, HyperReef 100/150 X-bracket is installed identically.

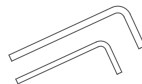
Spare Parts & Tools Included:



2 x M5 x 8 mm
Screws (Spare)



2 x M4 x 10 mm
Screws (Spare)

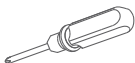


2.5mm & 5mm
Allen Keys



Wrench

Additional Tool Required:



Screwdriver

Kit Assembly Instructions

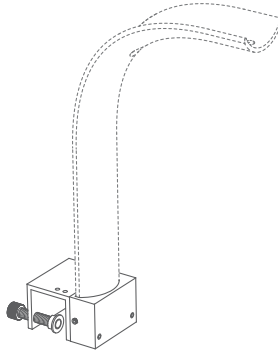
Step 1

Choose an appropriate Edge Clamp combination for your setup.



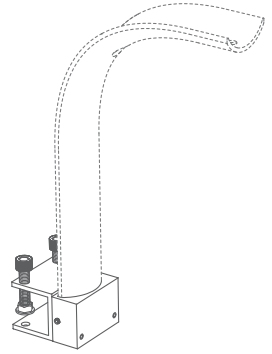
Combo 1

Default, for rimless/
rimmed aquarium



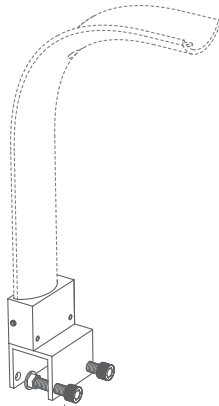
Combo 2

For rimless aquarium



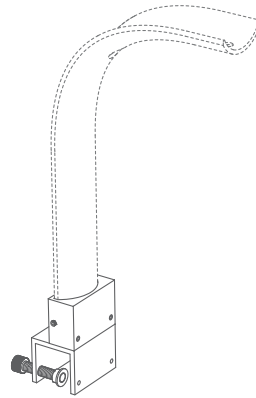
Combo 3

For Euro-braced
aquarium



Combo 4

Flush against wall /
Increase height



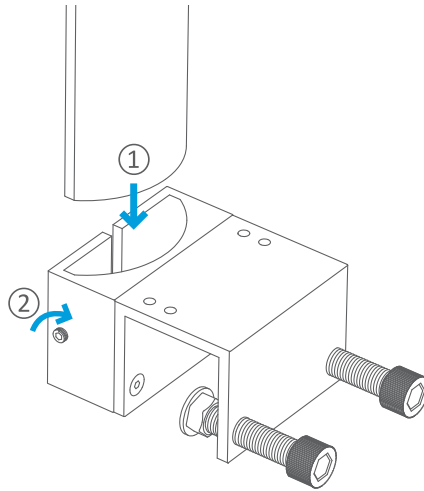
Combo 5

For aquarium with a narrow
internal overflow box

NOTE: For Combo 4 and 5, the light height is fixed at approximately 12" above the water surface.

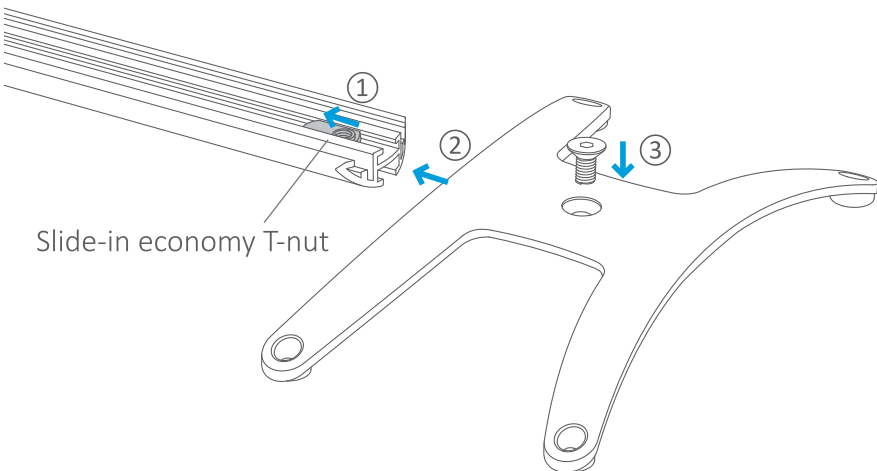
Step 2

Insert the Formed Arm into the Edge Clamp, then tighten the screws to fix it at the desired height.



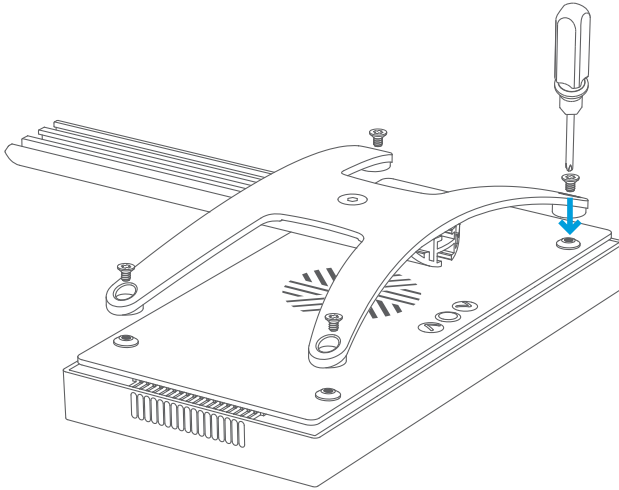
Step 3

Slide the X-Bracket onto the Sliding Rail, align the hole with the Slide-in economy T-nut, then tighten down the screw.



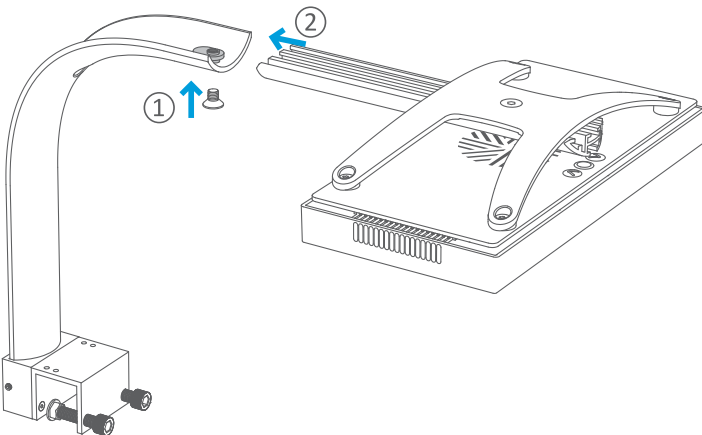
Step 4

Mount HyperReef to the X-Bracket using the provided corner screws with screwdriver (not included).



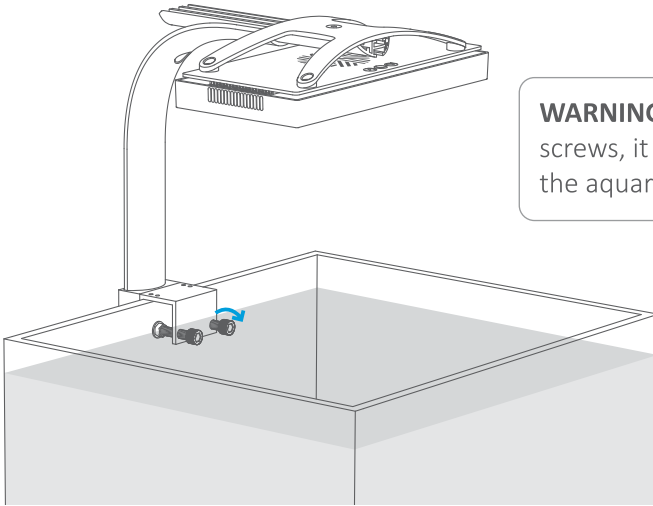
Step 5

Guide the Sliding Rail onto the Formed Arm, and tighten the screw to lock it in desired position.



Step 6

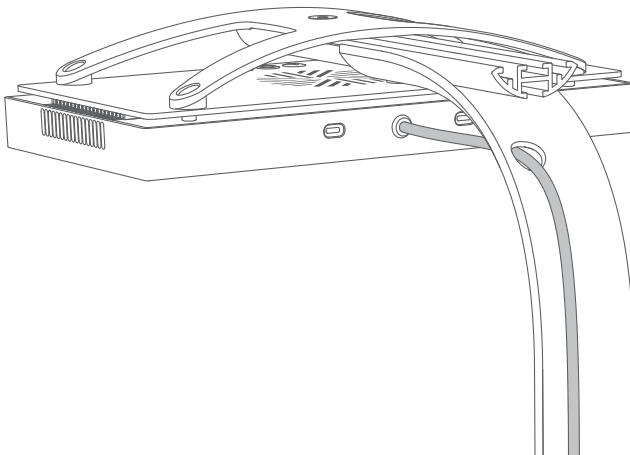
Secure the HyperReef Mount System to the aquarium by tightening the screws.



WARNING: Do not overtighten screws, it may cause damage to the aquarium or Edge Clamp.

Step 7

Route the power cord through the hole in the Formed Arm.





Watch Mount Installation Video